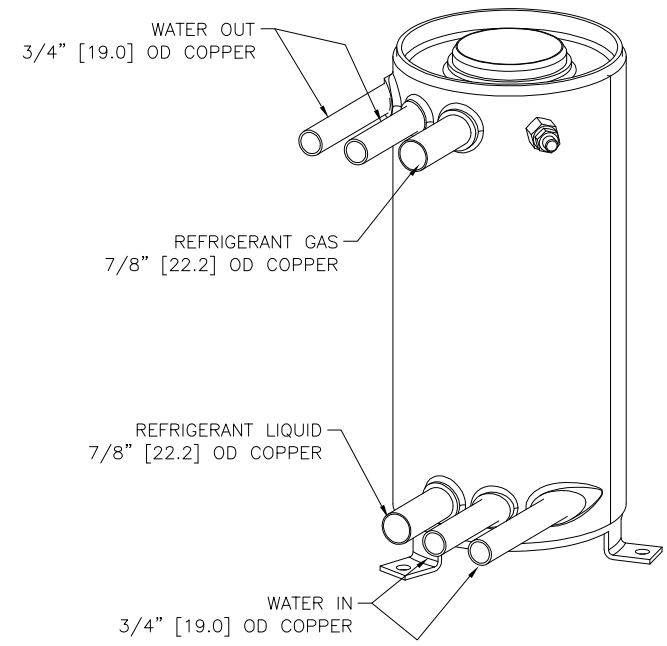
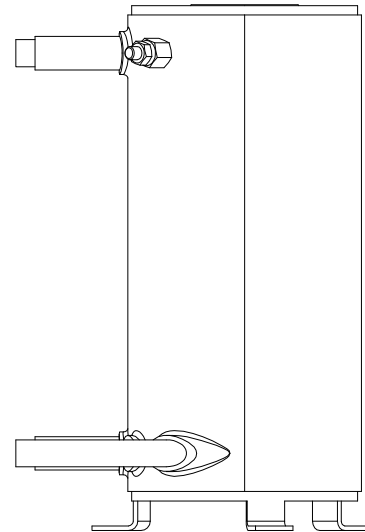
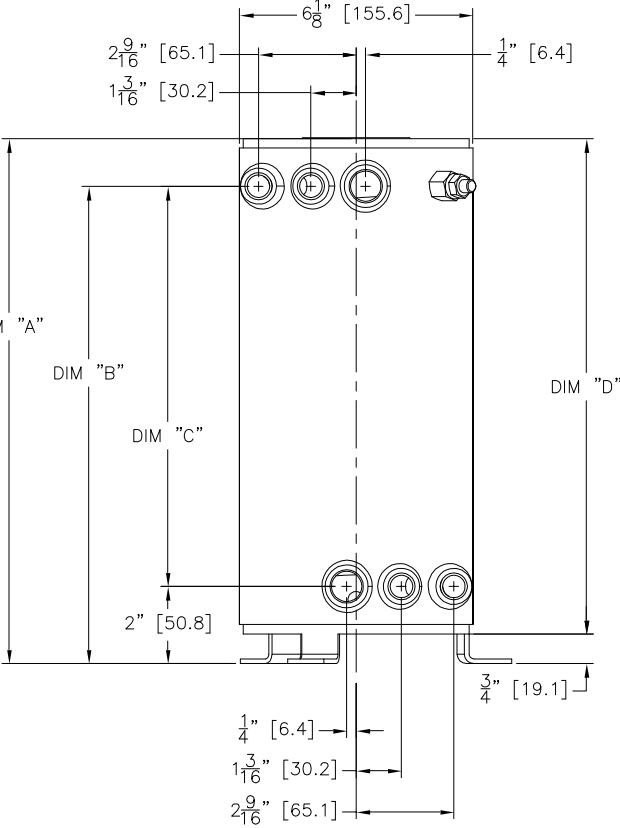
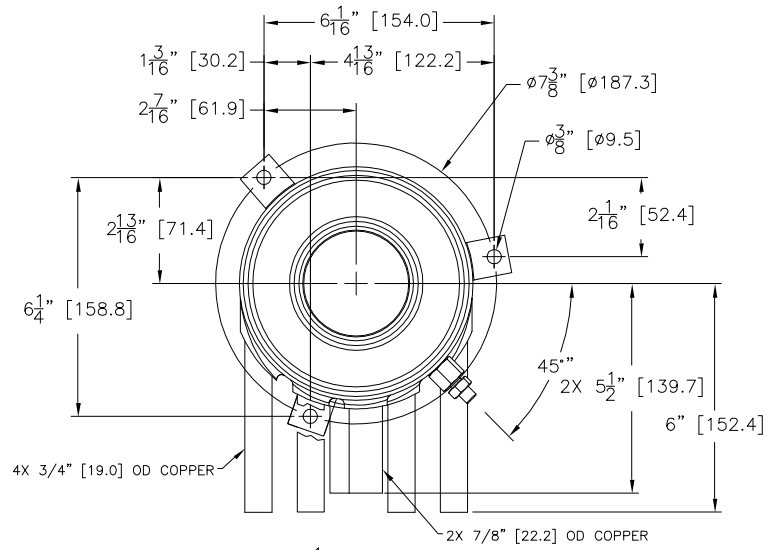


| REVISIONS | | | | |
|-----------|------|---------------------|----------|----------|
| ZONE | REV. | DESCRIPTION | DATE | APPROVED |
| | 0 | PRELIMINARY RELEASE | 03/27/08 | |



| MODEL | DIMENSION "A" | | DIMENSION "B" | | DIMENSION "C" | | DIMENSION "D" | |
|---------|---------------|-------|---------------|-------|---------------|-------|---------------|-------|
| | IN | MM | IN | MM | IN | MM | IN | MM |
| S-2/CN2 | 8 1/2 | 215.9 | 7 1/4 | 184.2 | 5 1/4 | 133.4 | 7 3/4 | 196.9 |
| S-3/CN3 | 10 1/4 | 260.4 | 9 | 228.6 | 7 | 177.8 | 9 1/2 | 241.3 |
| S-4/CN4 | 12 | 304.8 | 10 3/4 | 273.1 | 8 3/4 | 222.3 | 11 1/4 | 285.8 |
| S-5/CN5 | 13 3/4 | 349.3 | 12 1/2 | 317.5 | 10 1/2 | 266.7 | 13 | 330.2 |
| S-6/CN6 | 15 1/2 | 393.7 | 14 1/4 | 362.0 | 12 1/4 | 311.2 | 14 3/4 | 374.7 |

| | | | | | |
|---|--|---|------------------|---|---------------------|
| <u>UNLESS OTHERWISE SPECIFIED</u> DIMENSIONS ARE IN INCHES TOLERANCES ARE: FRACTIONS ±1/16 DECIMALS .XX ANGLES ±1° | | APPROVALS DRAWN J.BANNISTER CHECKED ENGR. P.MGR. MFG. QA/REG | DATE 03/27/08 | AQUA SYSTEMS, INC. P. O. Box 181, Hampton Falls NH 03844 | |
| MATERIAL -- | | | | TITLE HEAT EXCHANGER | |
| FINISH -- | | | | SIZE C | REV. 0 |
| DO NOT SCALE DRAWING | | | | CAGE NO NONE | DWG. NO. HEATX_S |
| | | | | CAD FILE HEATX_S | SHEET 1 OF 1 |