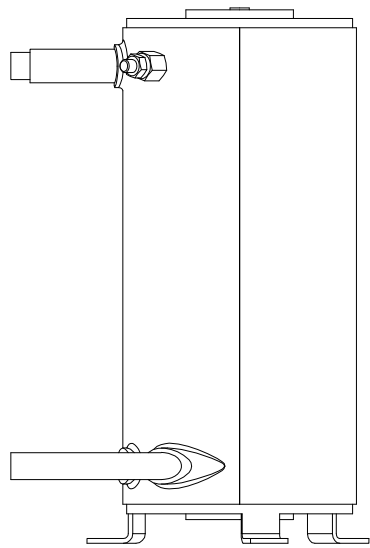
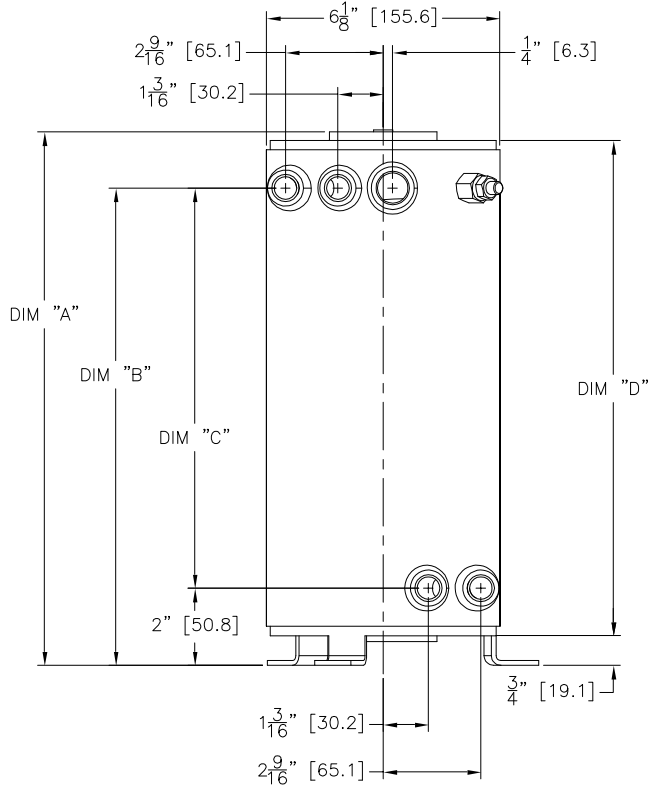
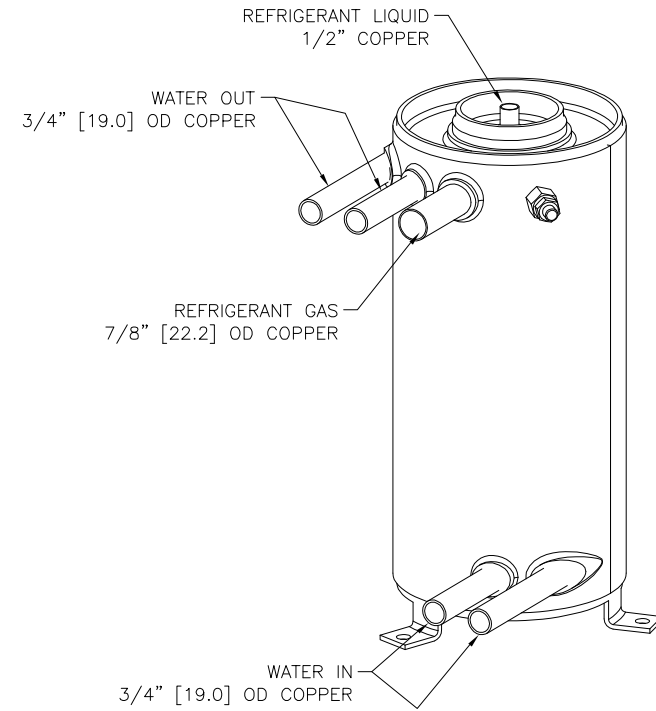
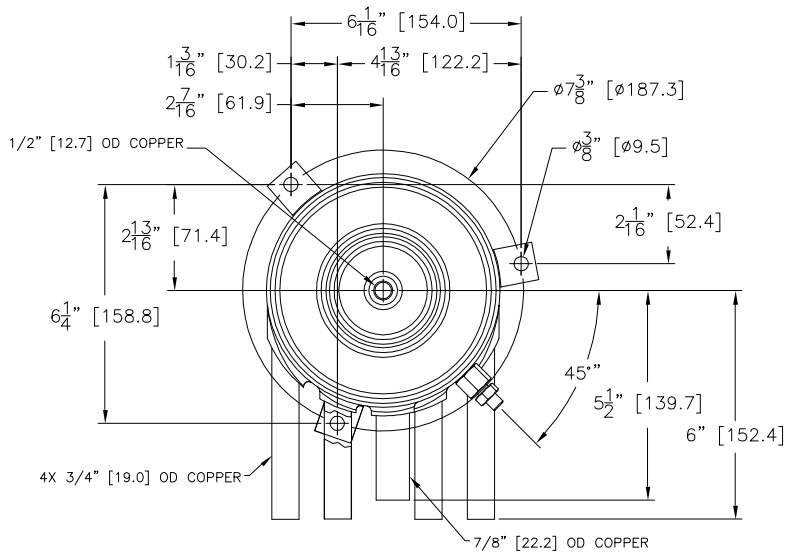


REVISIONS				
ZONE	REV.	DESCRIPTION	DATE	APPROVED
	0	PRELIMINARY RELEASE	03/27/08	



MODEL	DIMENSION "A"		DIMENSION "B"		DIMENSION "C"		DIMENSION "D"	
	IN	MM	IN	MM	IN	MM	IN	MM
S-2R/CN2R	8 3/4	222.3	7 1/4	184.2	5 1/4	133.4	7 3/4	196.9
S-3R/CN3R	10 1/2	266.7	9	228.6	7	177.8	9 1/2	241.3
S-4R/CN4R	12 1/4	311.2	10 3/8	273.1	8 3/8	222.3	11 1/4	285.8
S-5R/CN5R	14	355.6	12 1/2	317.5	10 1/2	266.7	13	330.2
S-6R/CN6R	15 3/4	400.0	14 1/4	362.0	12 1/4	311.2	14 3/4	374.7

<u>UNLESS OTHERWISE SPECIFIED</u>		APPROVALS		DATE		AQUA SYSTEMS, INC. P. O. Box 181, Hampton Falls NH 03844 TITLE			
DIMENSIONS ARE IN INCHES		DRAWN		03/27/08					
TOLERANCES ARE:		J.BANNISTER				SIZE CAGE NO. DWG. NO. REV. C NONE HEATX_SR 0			
FRACTIONS ±1/16 .XX .XXX ---		CHECKED							
ANGLES ±1°		ENGR.							
MATERIAL --		P.MGR.							
FINISH --		MFG.							
DO NOT SCALE DRAWING		QA/REG							