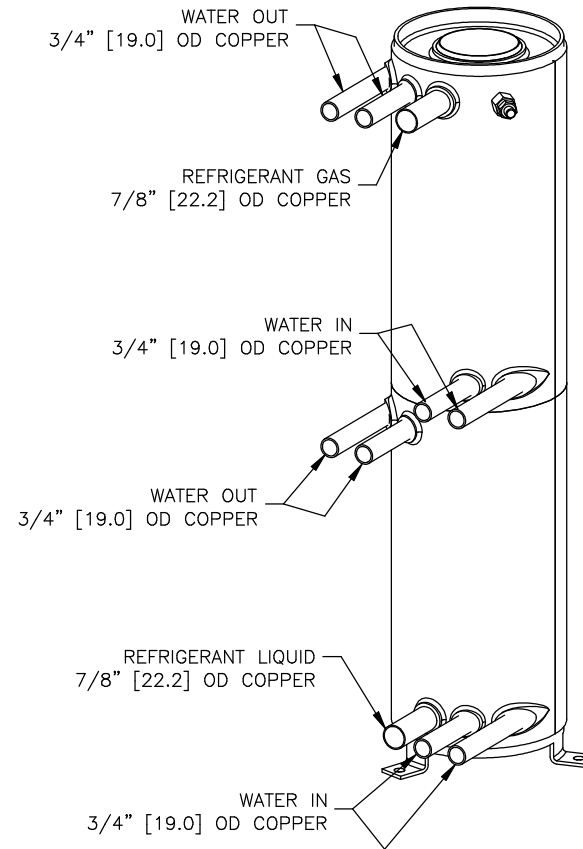
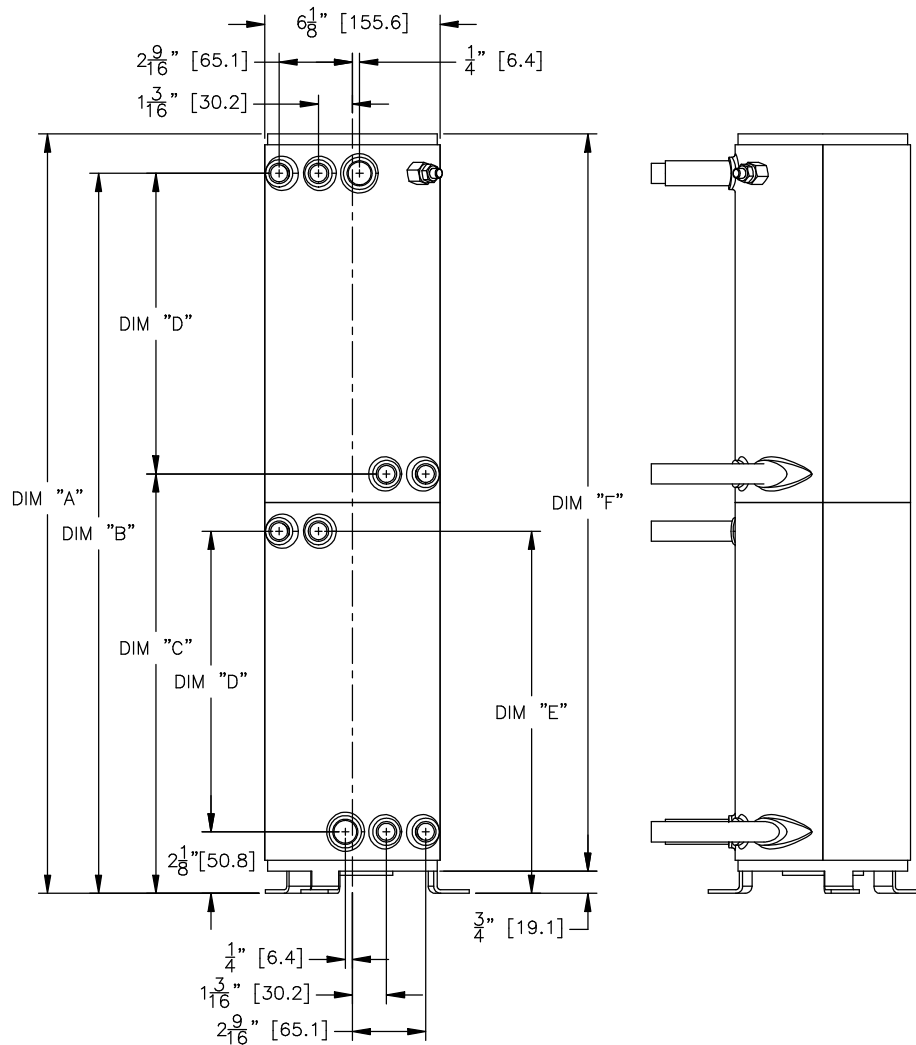
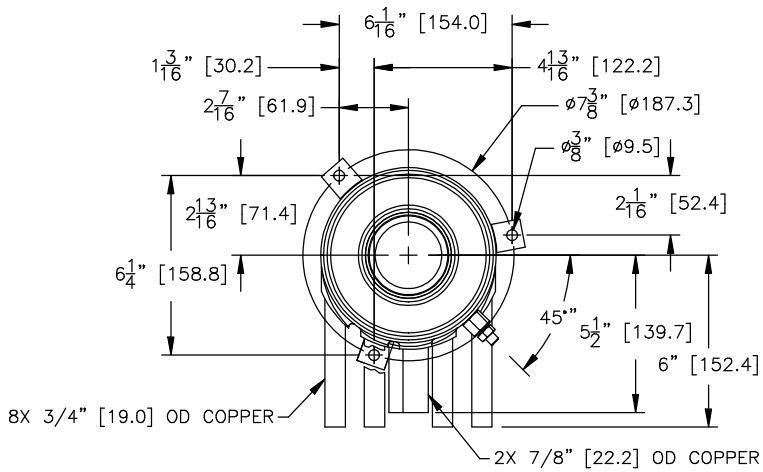


ZONE		REVISIONS		DATE	APPROVED
	REV.	DESCRIPTION			
	0	PRELIMINARY RELEASE		01/26/09	



MODEL	DIM "A"		DIM "B"		DIM "C"		DIM "D"		DIM "E"		DIM "F"	
	IN	MM	IN	MM	IN	MM	IN	MM	IN	MM	IN	MM
S-3TV/CN3TV	19 1/2	501.6	18 1/8	460.4	11	279.4	7	177.8	9	228.6	18 1/2	476.2
S-4TV/CN4TV	23	590.6	21 5/8	549.3	12 3/4	323.8	8 1/2	222.3	10 1/2	273.0	22 1/4	565.2
S-5TV/CN5TV	26 1/2	679.4	25 1/8	638.2	14 1/2	368.3	10 1/2	266.7	12 1/2	317.5	25 1/2	654.1
S-6TV/CN6TV	30	768.4	28 5/8	727.1	16 1/2	412.8	12 1/2	311.2	14 1/2	362.0	29 1/2	743.0

UNLESS OTHERWISE SPECIFIED DIMENSIONS ARE IN INCHES TOLERANCES ARE: FRACTIONS ±1/16 DECIMALS .XX ANGLES ±1°	APPROVALS	DATE	AQUA SYSTEMS, INC. P.O. Box 181, Hampton Falls, NH 03844			
	DRAWN J.BANNISTER	01/26/09				
MATERIAL ---	ENGR.		SIZE C	CAGE NO.	DWG. NO. HEATX_S_DUAL	REV. 0
FINISH ---	P.MGR.		SCALE NONE	CAD FILE HEATX_S_DUAL	SHEET 1	OF 1
DO NOT SCALE DRAWING	QA/REG					