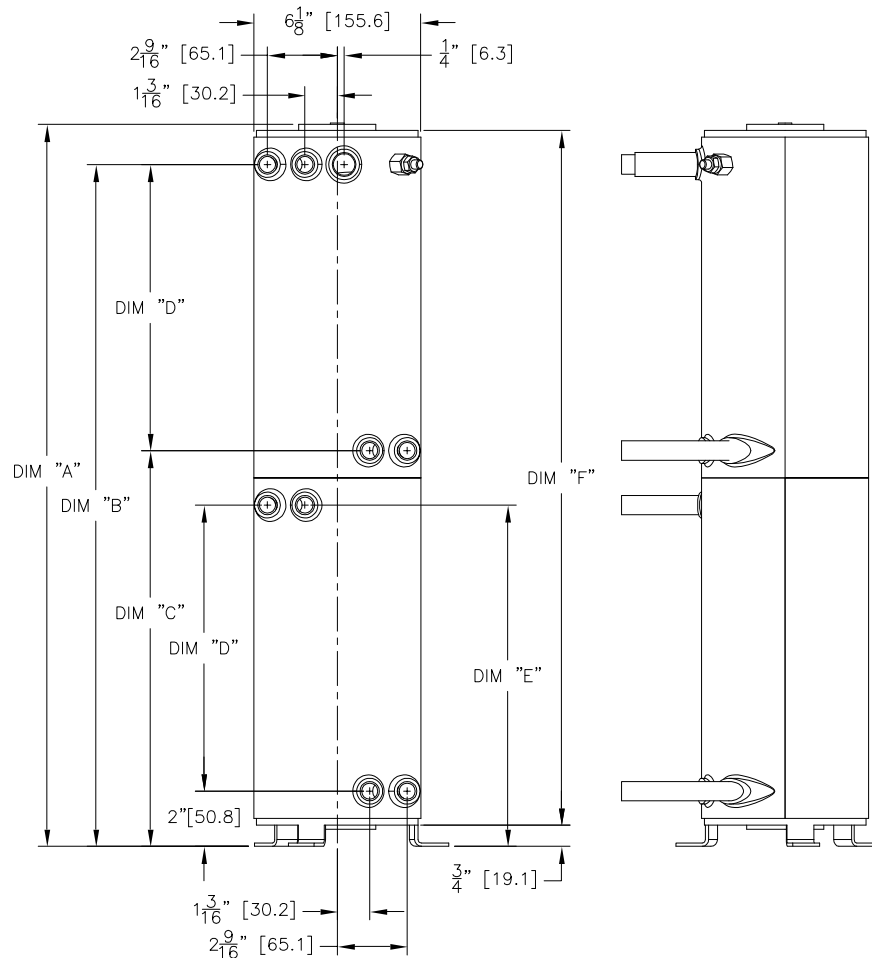
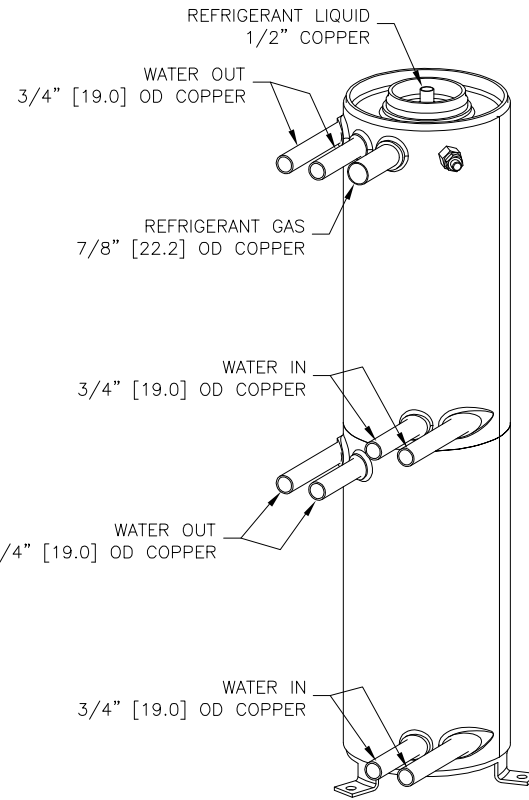
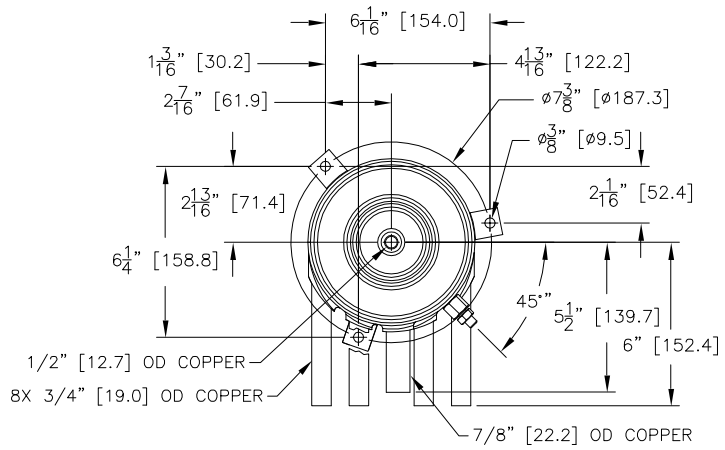


REVISIONS				
ZONE	REV.	DESCRIPTION	DATE	APPROVED
	0	PRELIMINARY RELEASE	03/27/08	



MODEL	DIM "A"		DIM "B"		DIM "C"		DIM "D"		DIM "E"		DIM "F"	
	IN	MM	IN	MM	IN	MM	IN	MM	IN	MM	IN	MM
S-3TVR/CN3TVR	23	584.2	21 1/2	546.1	11	279.4	7	177.8	9	228.6	22	558.8
S-4TVR/CN4TVR	24 3/4	628.6	23 1/4	590.6	12 3/4	323.8	8 3/4	222.3	10 3/4	273.0	23 3/4	603.2
S-5TVR/CN5TVR	26 1/2	673.1	25	635.0	14 1/2	368.3	10 1/2	266.7	12 1/2	317.5	25 1/2	647.7
S-6TVR/CN6TVR	28 1/4	717.6	26 3/4	679.5	16 1/4	412.8	12 1/4	311.2	14 3/4	362.0	27 1/4	692.2

UNLESS OTHERWISE SPECIFIED DIMENSIONS ARE IN INCHES TOLERANCES ARE: FRACTIONS .XX --- ±1/16 DECIMALS .XXX --- ANGLES ±1°	APPROVALS	DATE	AQUA SYSTEMS, INC. P. O. Box 181, Hampton Falls NH 03844 TITLE			
	DRAWN J.BANNISTER	10/26/08				
	CHECKED		HEAT EXCHANGER WITH BI-DIRECTIONAL RECEIVER			
	MATERIAL ---	ENGR.				
FINISH ---	P.MGR.		SIZE C	CAGE NO	DWG. NO. HEATX_SR_DUAL	REV. 0
DO NOT SCALE DRAWING	QA/REG		SCALE NONE	CAD FILE HEATX_SR_DUAL	SHEET 1 OF 1	